

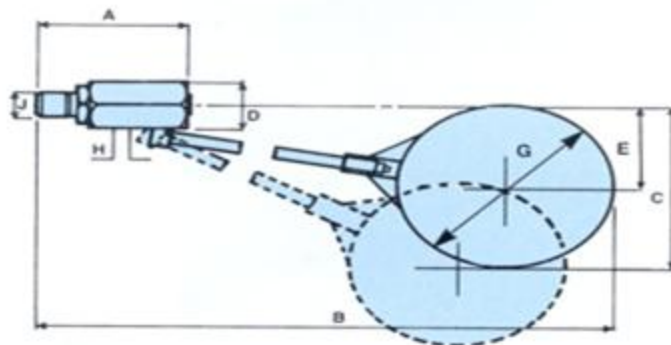
• **DIRECT ACTING FLOAT VALVES SERIES 7312**

• **DESCRIPTION**

- The VOSA 7312 series valve is a direct acting float valve and can be used on clear or turbid fluids compatible with 316 stainless steel. Suitable as main valve or pilot on CLA-VAL valves.

CONSTRUCTION

MODEL 7312	316 Stainless steel with Stainless steel float
END DETAIL	As per table
PRESSURE RATING	Max 2000 kPa
TEMPERATURE RANGE	Maximum with stainless steel float 120 °C
SEAT	Viton



VALVE SIZE	15 mm	20 mm	25 mm
BODY RATINGS	20 bar	20 bar	20 bar
MASS	0.8 kg	0.8 kg	1.0 kg
A	78	78	78
B	505	505	660
C	110	110	150
D	36 AF	36 AF	36 AF
E	75	75	75
G	225	225	225
H Outlet	¼ " NPT	¼ " NPT	¼ " NPT
J	15BSPT	20BSPT	25BSPT