



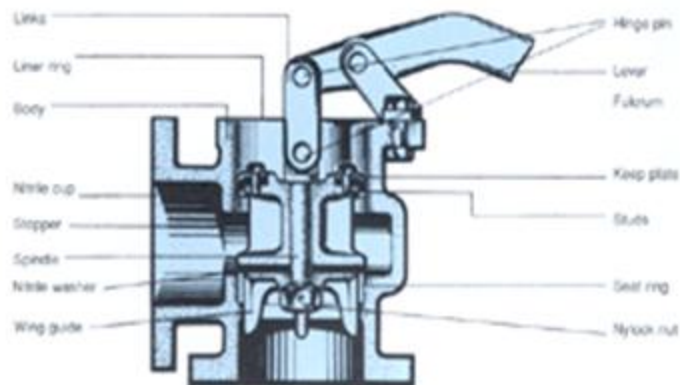
- **EQUILIBRIUM FLOAT SERIES 7354**

- **APPLICATION**

- Equilibrium (ball) float, valve, normally fitted within a tank or reservoir, which automatically controls the rate of filling, and will shut off when a predetermined level is reached. It is particularly suitable for use within gravity mains of short to moderate length.

- **DESIGN**

- The relatively long actuating lever provides a long float travel for full valve movement, ensuring a slow rate of valve closure and reducing the danger of inducing pressure rises within the main,



[Click here to zoom](#)

Specifications

BODY SHAPE	Allows full flow area during normal working
FLANGE OUTLET	For fitting silencer pipe (lightweight)
SEAT / LINER	Hydraulically pressed into body
FLOAT	In control of valve at all positions of travel
CUP / WASHER	Easily replaced

Materials

BODY, FULCRUM AND STOPPER (150 – 200mm)	Cast iron SABS 1034 Grade 250
SEAT RING, LINER, WING GUIDE, DEEP PLAT AND STOPPER (50 -100 mm)	Gunmetal BS, 1400 Grade LG2-C
LEVER, LINKS AND SPINDLE (150 – 200mm)	Mild steel BS.970 Grade EN 3
CUP	Nitrile
STOPPER FACE	Nitrile
FLOAT	polyethelene

EQUILIBRIUM FLOAT SERIES 7354[Click here to zoom](#)

ITEM NO	DESCRIPTION	ITEM NO	DESCRIPTION
01	Body	11	Split pins
02	Fulcrum	12	Washers
03	Seat ring	13	Lever
04	Liner	15	Hex. Bolts
05	Wing guide	16	Hex. Nuts
06	Stopper	19	Lock nut
07	Keep plate	20	Lock screw
09	Hinge pins	21	Cup seal
10	links	22	Stopper face

