

## APPLICATIONS

- Mining – Tailings, backfill, thickeners
- Power Industry – Fly ash
- Cement
- Pulp and paper
- Chemical

## FEATURES

- No metal parts in contact with the flowing slurry
- No bonnet or seat cavities for solids to collect, preventing the valve to fully open or close
- Suitable for wet or dry service
- Easily replaceable seats
- No stem or gate packing
- Wide range of elastomers available
- Bi-directional flow
- Easily adaptable to suit a gear operator or actuators
- Bubble tight shutoff
- External epoxy coated

## OPTIONS

- Splash guards with purge ports
- Actuators
- Gear operators
- Stem cover
- Sleeve available in Nitrile, Viton, Butyl and Hypalon
- Various Gate Materials



## • TECHNICAL SPECIFICATION

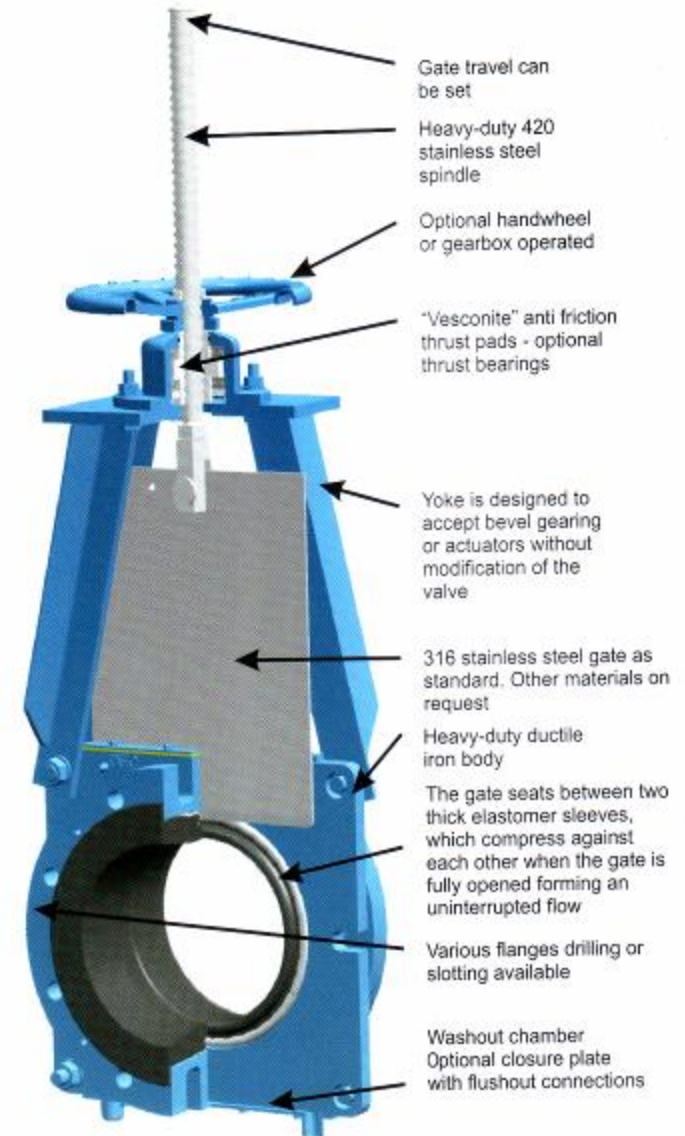
- **SIZE RANGE** – 80mm – 500mm
- **OPERATING PRESSURE** – 7 bar
- **BODY** – ductile iron
- **GATE** – 316 Stainless Steel
- **SPINDLE** – 420 Stainless Steel
- **SLEEVES** – Natural Rubber
- **Other options** – Nitrile / Viton / Butyl / Hypalon
- **HANDWHEEL** – Ductile Iron
- **COUNTER FLANGES** – Mild Steel rubber encapsulated
- **FLANGE DRILLINGS** – BS4504 table 10, Bs10  
Table D, ANSI 125,  
AS2129 Table C
- **Sizes 80mm – 300mm flanges** are drilled and tapped
- **Sizes 350mm – 500mm flanges** slotted

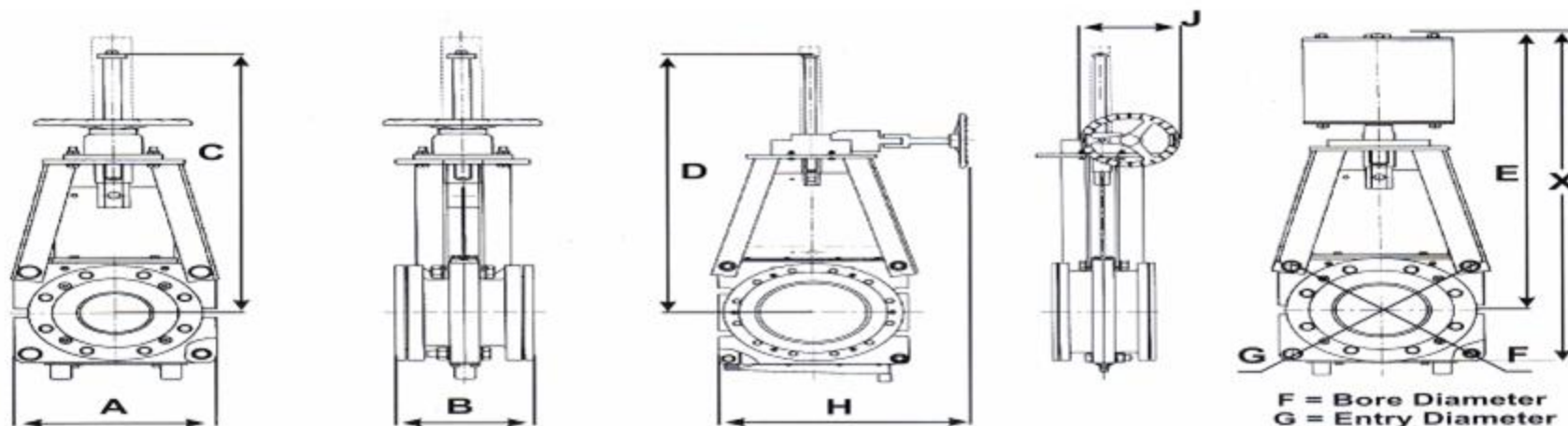


Valve in the fully open position



Valve in the fully closed position





VALV E SIZE	A	B	H/W C	G/O D	ACT E	F	G	H	H/W J	G/O J	MASS H/W	MASS G/O	MASS ACT	O/ALL Height
80*	219	175	569	-	558	65	71	-	200	-	25	-	40	800
100*	256	175	688	-	652	90	98	-	200	-	30	-	60	850
150*	307	177	862	-	836	138	149	-	250	-	45	-	75	1050
200*	359	183	957	-	961	182	200	-	250	-	95	-	85	1240
250*	409	225	1080	-	1076	234	252	-	315	-	90	-	100	1380
300*	481	257	1308	1294	1303	272	292	390	400	250	-	150	111	1640
350	534	257	1471	1425	1433	305	328	420	500	250	-	205	240	1850
400	595	278	1656	1619	1607	352	378	420	630	315	-	260	380	1980
450	639	312	-	1744	1794	392	430	450	-	315	-	400	430	2080
500	695	362	-	1882	1882	438	473	500	-	400	-	480	565	2250