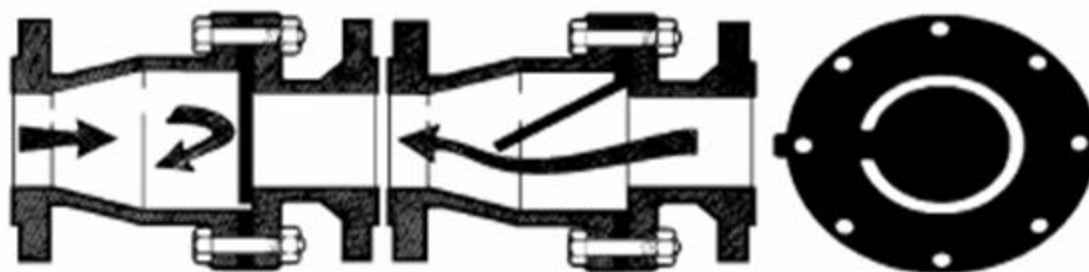
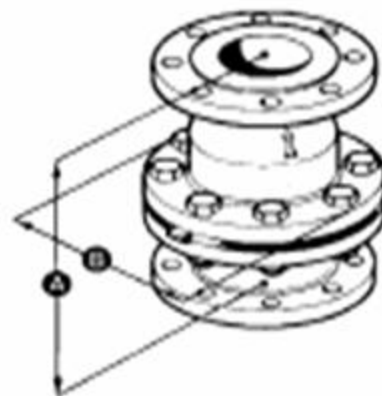




- **A simple one part disc is the only moving part in INVAL check valves. The simplicity assists in guaranteeing long, maintenance free life in the prevention of leakage. Available combination of body linings and disc materials, means that a wide range of fluids and gases can be handled.**
- **Simple duties:**
- **Water, air or difficult services erosive and corrosive alkalies and acids are contained without the use of exotic, expensive metals.**
- **Available linings include hard rubber, halar, P.V.D.F. and butyl.**
- **To complement these high performance linings, discs are of butyl , nitrile and viton.**
- **INVAL check is usable in vertical and horizontal planes.**

## INVAL TYPE 'X' CHECK VALVE pg 2 of 2

SIZE	A – OVERALL LENGTH		B – OVERALL DIAMETER
	CAST IRON	RUBBER	ALL SPECIFICATIONS
25mm	157	157	124
40mm	180	186	149
50mm	200	204	162
80mm	260	265	216
100mm	350	356	295
150mm	400	406	327



FLANGE STANDARDS : British – BS4504, other ..... On request

### MATERIALS:

BODY            cast iron  
ENDS            flanged  
PRESSURE      7 bar  
TEMP.           -30°C to 150°C  
SIZES            DN 25 – DN 150

### OPTIONAL LININGS

RUBBER – hard & soft  
HALAR, BUTYL  
NEOPRENE  
P.V.D.F.

### DISC MATERIALS

B - BUTYL  
226 - VITON