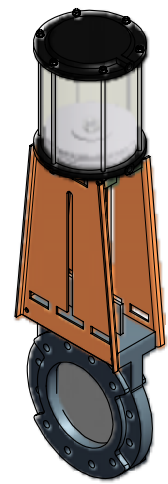
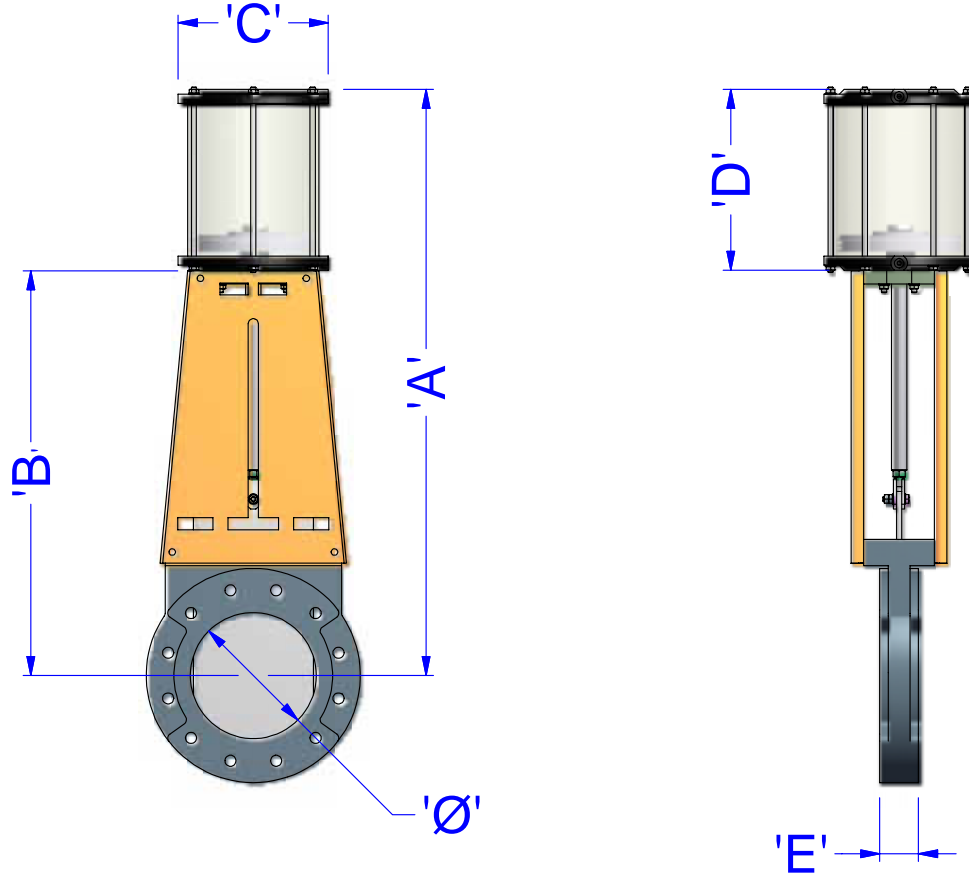



# Inval Double Acting Actuators To Insamcor Knife Gate Valves Dimensional Drawing



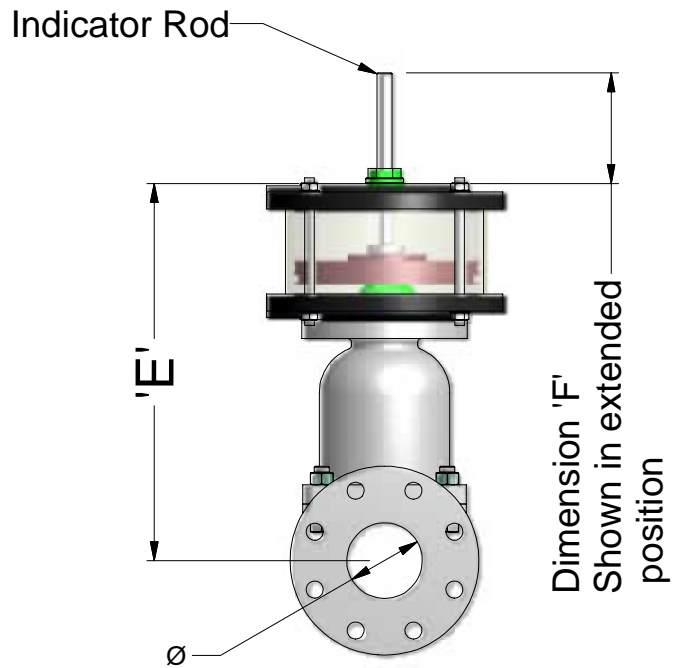
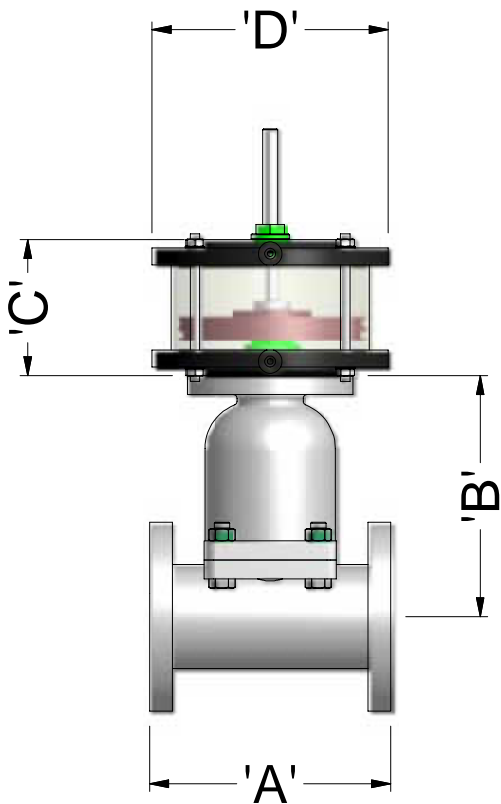
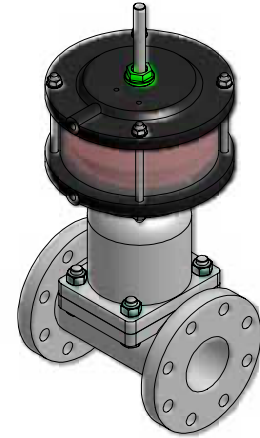
Note  
Face / Face Dimension 'E'  
to be confirmed with  
Valve Manufacturer

Inval DA Actuators Adapted to Insamcor Knife Gate Valves

Valve Ø	Actuator Type	Dim 'A'	Dim 'B'	Dim 'C'	Dim 'D'	Dim 'E'
Ø80	DA10	592	432	Ø130	160	± 58.5
Ø100	DA12	670	490	Ø160	180	± 64
Ø125	DA16	750	550	Ø200	200	± 67
Ø150	DA16	803	558	Ø200	245	± 73
Ø200	DA20	1075	770	Ø250	305	± 87
Ø250	DA25	1185	820	Ø300	365	± 89
Ø300	DA30	1310	890	Ø350	420	± 96
Ø350	DA30	1525	1060	Ø350	465	± 96
Ø400	DA35	1640	1150	Ø400	490	± 116
Ø450	DA40	1540	1000	Ø450	540	± 118
Ø500	DA40	1672	1087	Ø450	585	± 130
Ø600	DA45	1960	1271	Ø500	691	± 152

LIMITS UNLESS OTHERWISE STATED ALL DIMENSIONS IN MILLIMETRES				TITLE DA Actuators to Insamcor Knife Gate Dim SUBJECT		 <p><b>SOUTHCOR PLANT &amp; ENGINEERING CC</b> Reg. No. CK87/18106/23</p> <p>TEL: +27-11-828 0598      FAX: +27-11-828 2480 PO BOX 6311, HOMESTEAD, 1412, Rep. of SA</p>
GENERAL DIMENSIONS DECIMAL DIMENSIONS	± 1.00 ± 0.25	OUT OF ALIGNMENT OF ADJACENT HOLES ANGLES	± 0.25 ± °	SCALE	1 : 10      A4	
01	ISSUED FOR QUOTATION		SGS	DRAWN	Staf Southwood	
REV.	DESCRIPTION	DRAWN DATE	CHK'D DATE	DATE	09/02/09      REV.      01	
THIS DRAWING IS OWNED BY SOUTHCOR PLANT & ENGINEERING CC AND IS ISSUED ON THE UNDERSTANDING THAT IT WILL NOT BE REPRODUCED OR COPIED IN WHOLE OR IN PART, NOR IS THE INFORMATION TO BE RELEASED TO ANY THIRD PARTIES WITHOUT THE WRITTEN PERMISSION OF THE ABOVE CORPORATION.				DWG. No. DA Actuators Insam Knife Gate Dim		

# Inval Double Acting Actuators Adapted To KB Type Diaphragm Valves. Dimensional Drawing



Inval DA Actuators Adapted to KB Type diaphragm Valves Dimensions

Valve Type $\emptyset$	Actuator Typ	Dim 'A' mm	Dim 'B' mm	Dim 'C' mm	Dim 'D' mm	Dim 'E' mm	Dim 'F' mm
KB50	DA16	191	190	140	200	330	105
KB65	DA16	216	210	155	200	365	115
KB80	DA20	254	250	175	250	425	140
KB100	DA20	305	270	180	250	450	150
KB125	DA25	356	305	205	300	510	160
KB150	DA25	410	370	230	300	600	180
KB200	DA30	521	410	245	350	655	200
KB250	DA30	635	560	290	350	850	240
KB300	DA35	750	640	300	400	940	280

LIMITS UNLESS OTHERWISE STATED  
ALL DIMENSIONS IN MILLIMETRES

GENERAL DIMENSIONS  $\pm 1.00$  OUT OF ALIGNMENT OF ADJACENT HOLES  $\pm 0.25$   
DECIMAL DIMENSIONS  $\pm 0.25$  ANGLES  $\pm 1'$

TITLE  
KB Valves with D/Acting Actuators Dim

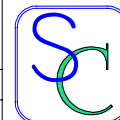
SCALE 1 : NTS

DRAWN Staf Southwood

DATE 21/11/07

REV.

THIS DRAWING IS OWNED BY SOUTHCOR PLANT & ENGINEERING CC AND IS ISSUED ON THE UNDERSTANDING THAT IT WILL NOT BE REPRODUCED OR COPIED IN WHOLE OR IN PART, NOR IS THE INFORMATION TO BE RELEASED TO ANY THIRD PARTIES WITHOUT THE WRITTEN PERMISSION OF THE ABOVE CORPORATION.



**SOUTHCOR PLANT & ENGINEERING CC**

Reg. No. CK87/18106/23

TEL: +27-11-828 0598

FAX: +27-11-828 2480

PO BOX 6311, HOMESTEAD, 1412, Rep. of SA

DWG. No.

DA Act to KB Type Valves Dim

**INVAL PNEUMATIC ACTUATOR**

- **Inval actuators are adaptable to:**

Diaphragm valves

Pinch valves

Knife Gate valves

Gate valves

Globe valves

Piston valves

- **Available accessories**

Locking devices

Limit stops

Emergency overrides

Micro switches

Solenoid valves

Positioners and position indicators

I to P Converters

Proximity switches

Speed control

Air filter regulators



# PNEUMATIC ACTUATORS pg 2 of 3

## INVAL PNEUMATIC ACTUATOR

### A TYPE MODEL NO

VALVE SIZE mm	25	32	40	50	65	80	100	150	200	250	300
DOUBLE ACTING	DA8	DA10	DA12	DA16	DA16	DA16	DA20	DA25	DA30	DA30	DA35
SPRING OPEN	S08	S012	S012	S016	S016	S020	S020	S025	S030	S035	S035
SPRING CLOSED	SC10	SC12	SC16	SC16	SC16	SC20	SC25	SC30	SC35	SC40	SC230

### KB TYPE MODEL NO

VALVE SIZE mm	25	32	40	50	65	80	100	150	200	250	300
DOUBLE ACTING	DA8	DA12	DA12	DA16	DA16	DA20	DA20	DA25	DA30	DA30	DA35
SPRING OPEN	S010	S012	S012	S016	S016	S020	S020	S030	S030	S035	S035
SPRING CLOSED	SC10	SC12	SC16	SC16	SC16	SC20	SC25	SC30	SC35	SC40	SC235

# PNEUMATIC ACTUATORS pg 3 of 3

## INVAL PNEUMATIC ACTUATOR

### STANDARD FEATURES

- End caps Steel, cast iron or Aluminium
- Barrel Aluminium, Stainless Steel
- Piston Steel or Cast Aluminium
- Shaft 304 Stainless Steel
- Gland Ertalon
- Seals
  - Wiper seals Nitrile or Viton
  - Wear Seals Nylon

### OPTIONAL

Complete Stainless Steel

Epoxy Coating

Nylon Coated

