

- VALVE BODY

The standard valve body is cast from SG 42 iron, and has integral shaft hubs and operator mounting flange also available in carbon or stainless steel and other corrosion resistant materials, i.e. Alloy 20, Sanicro 28 and Hasteloy C.

- VALVE DISC

The disc is offset, single eccentric, and is cast from material to match the body and service, it is a highly efficient hydrofoil profile to maximize open flow area.

- VALVE SEAL

The standard seal is precision injection moulded from nitrile rubber and is fitted within the body perimeter. Other materials available are Viton, silicon, and EPDM.

- VALVE TRIM

The standard valve pressure and clamp rings are cast in SG 42 iron or carbon steel, fitted with stainless steel grub screws. Stainless steel or other corrosion resistant materials are available.

- VALVE SHAFTS

Twin stub shafts are machined from grade 431 stainless steel for standard valves and in materials to match the body and service for corrosive applications. Both drive and idle shafts incorporate double seals.

- VALVE BEARINGS

Shaft runs in low friction PTFE bearings requiring no lubrication bearing length is 1,5 x shaft diameter.

- VALVE OPERATORS

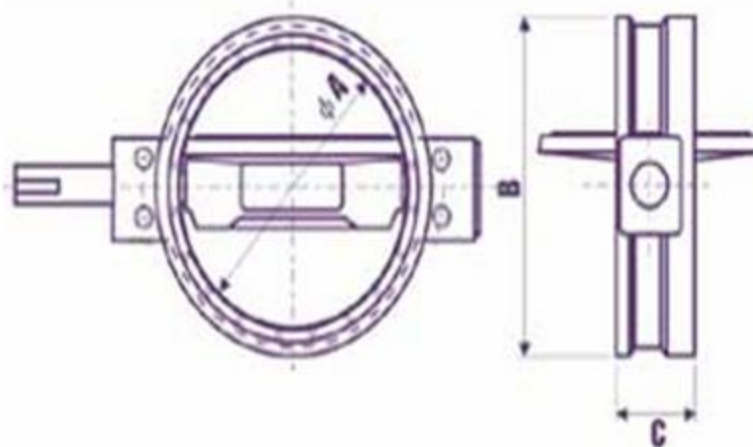
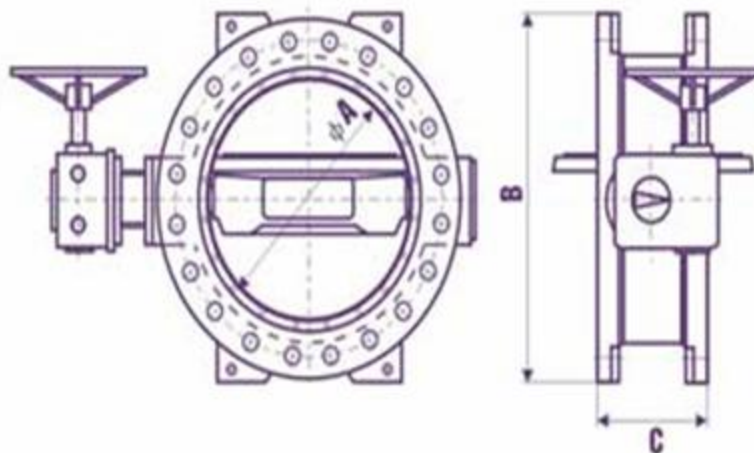
Manual gear operators are Rotork or Reprans quadrant worm reducers, keyed to the valve shaft and fitted with hand wheel or cap top positioning bolts for disc adjustment are incorporated. Valves up to 200NB may be fitted with lever operators. Valves can also be supplied with pneumatic, hydraulic or electric actuators.

- SURFACE FINISH

Standard valves are painted with one primer coat of enamel. Fusion bonded epoxy and specialist treatments are available.

DOUBLE FLANGED VALVE WITH GEAR OPERATOR

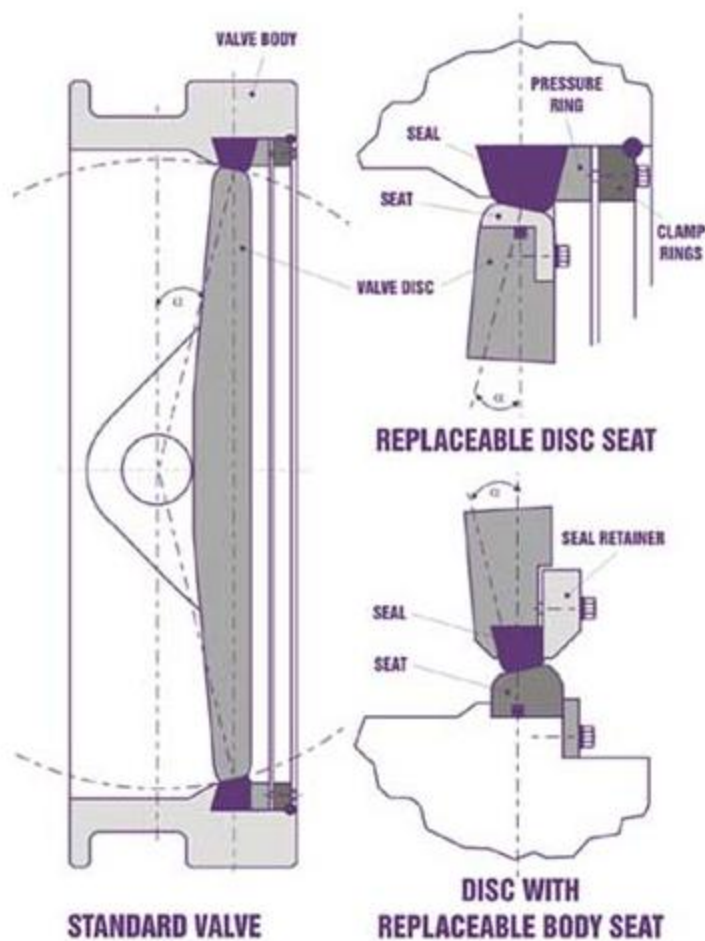
A (DN)	B	C
100	235	127
150	300	140
200	360	152
250	425	164
300	485	178
350	555	190
400	620	216
450	670	222
500	730	229
600	845	267
700	1020	292
750	1020	292
800	1085	318
900	1185	330
1000	1250	410
1200	1460	350
1400	1750	440
1600	1950	460
1800	2120	490



WAFER VALVE BARESHAFT

A (DN)	B	C
50	100	43
80	130	46
100	156	64
150	210	76
200	285	89
250	320	114
300	370	114
350	440	127
400	490	140
450	540	152
500	595	162
600	695	178
700	810	229
750	880	229
800	910	241
900	1010	241
1000	1120	300

SEAL CONFIGURATION



TORQUE CHART

SIZE mm	0.6 mPa	1 mPa	1.6 mPa	2.5 mPa	4 mPa
100	30	40	60	100	120
150	45	65	85	120	180
200	90	125	175	240	350
250	230	335	460	610	900
300	350	510	700	935	1260
350	460	670	930	1230	1660
400	610	875	1190	1630	2195
450	750	1100	1500	2000	2690
500	915	1330	1830	2500	3295
600	1350	1950	2550	3620	4890
700	1770	2600	3510	4750	6380
800	3380	4370	5890	8070	10900
900	4372	6200	8440	11390	15375
1000	8460	14600	17266	23310	31470